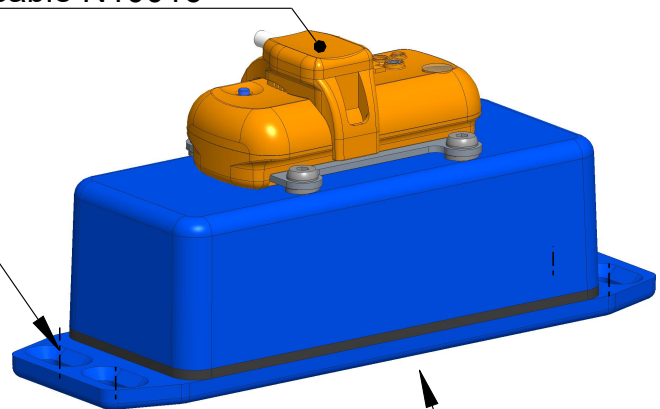




Interface USB cable N10016

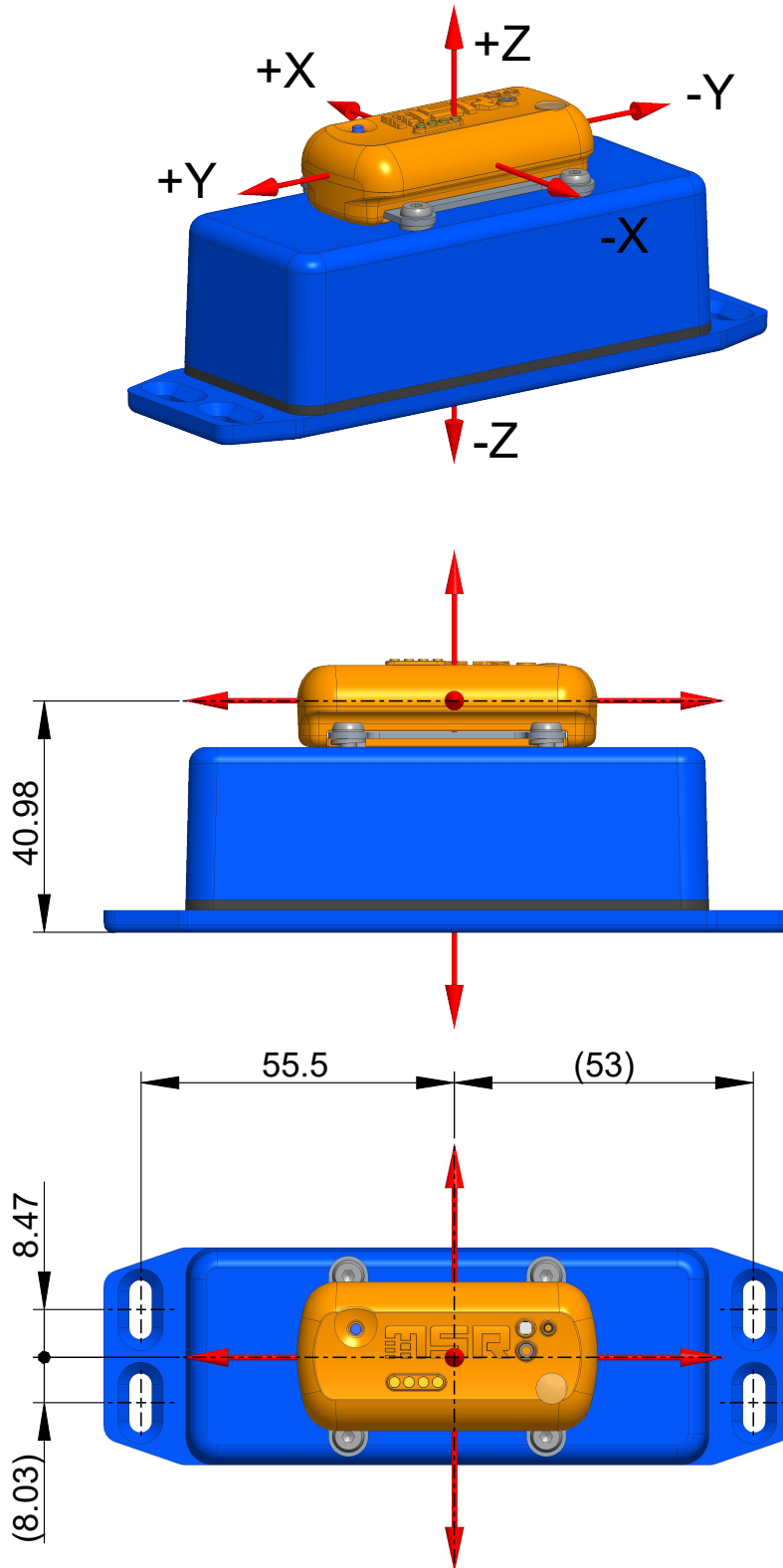
Threaded mounting:
DIN965A (~ISO7046) M4x12
Mounting in wood and
sheet metal:
DIN7983C (ISO7051) 3.5x19





Remove 4 countersunk screws UNC 6-32,
to replace the battery.

Revision	a)	.	Revision	d)	.	Revision	g)	.	A4	
	b)	.		e)	.		h)	.		
	c)	.		f)	.		j)	.		
© COPYRIGHT MSR Electronics GmbH For this drawing, we reserve our rights. Copying and reproducing or the using by third person without our authorization may be prosecuted.			Drawn	EP	24.01.26	Dimension Sheet Transport-Datenlogger			Sheet: 1/2	
			Reviewed	WE	24.01.26					
			Released	.	.					
 universelle Datenlogger 			MSR Electronics GmbH Mettlenstrasse 6 CH-8472 Seuzach Tel. +41 52 316 25 55			Scale:	Origin:	.	Rev.- Index:	
						3:4	175B54T6H3P5AA6L3PRO-EN			.

Acceleration sensor axes Sensor $\pm 10g$, $\pm 20g$, $\pm 40g$



Revision	a) .	Revision	d) .	Revision	g) .	A4
	b) .		e) .		h) .	
	c) .		f) .		j) .	
© COPYRIGHT MSR Electronics GmbH For this drawing, we reserve our rights. Copying and reproducing or the using by third person without our authorization may be prosecuted.			Drawn	EP	24.01.26	Dimension Sheet Transport-Datenlogger
			Reviewed	WE	24.01.26	
			Released	.	.	
 universelle Datenlogger 			MSR Electronics GmbH Mettlenstrasse 6 CH-8472 Seuzach Tel. +41 52 316 25 55		Scale: 3:4	Origin: 175B54T6H3P5AA6L3PRO-EN
						Sheet: 2/2
						Rev.- Index: .