

Features

- 15" Industrial Grade Multitouch Panel PC
- IP66 Compliant Aluminum Narrow Bezel Design
- 12th/13th Gen. Intel Core Processor
- Support 2 x DDR4-3200MHz SO-DIMM, up to 64GB
- 7H Anti-scratch Projected Capacitive Multi-touch Screen
- Support High Brightness LCD (Optional)
- Support Auto-Dimming (PB-49/50)(Optional)
- DC 9~36V Power Input
- Fanless Design

Specifications

System	
CPU	Intel Core i3-1215U, 2P+4E, 1.2 GHz Base, TDP=15W Intel Core i5-1235U, 2P+8E, 1.3 GHz Base, TDP=15W Intel Core i7-1255U, 2P+8E, 1.7 GHz Base, TDP=15W Intel Core i3-1315UE, 2P+4E, 1.2 GHz Base, TDP=15W Intel Core i5-1335UE, 2P+8E, 1.3 GHz Base, TDP=15W Intel Core i7-1365UE, 2P+8E, 1.7 GHz Base, TDP=15W
System Chipset	SoC
Memory	2 x DDR4 3200Mhz SO-DIMM, up to 64GB
BIOS	AMI UEFI

I/O Port	
USB	2 x USB 3.2 Gen 1 Type-A, 2 x USB 2.0 Type-A
Serial/Parallel	1 x DB9, supports RS-232/422/485 (COM1, BIOS selection, RS-232 is default) 1 x DB9, supports RS-232/422/485 (COM2, BIOS selection, RS-232 is default), optional 1 x DB9, supports RS-232(COM3), optional
Display Output	1 x HDMI 2.1, resolution up to 4096 x 2304@60Hz
LAN	2 x RJ-45, support Intel I210-AT/I219-V 1GbE LAN
Power	1 x Terminal Block, supports DC 9~36V Power Input

Storage Space	
HDD/SSD	1 x M.2 2280 M-Key socket (PCIe 3.0 x4)

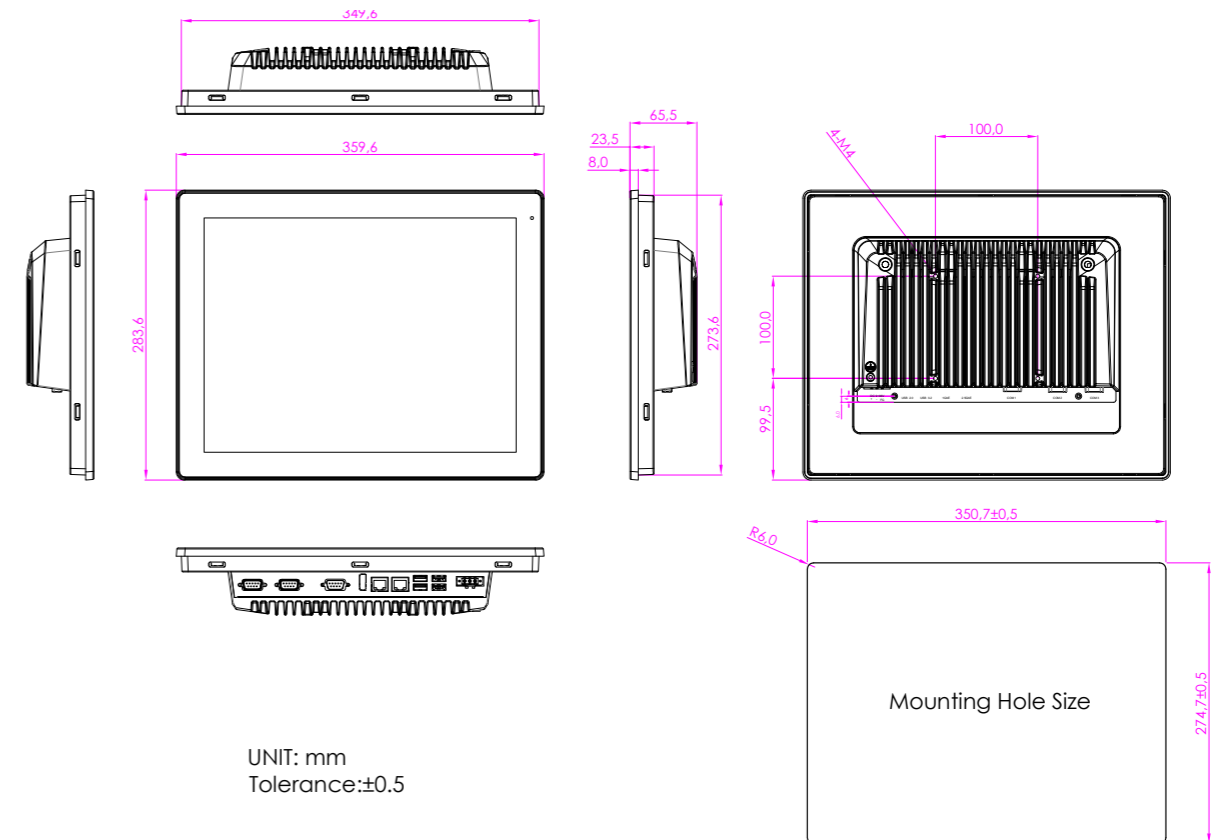
Expansion	
Expansion slot	1 x M.2 2230 E-Key (USB2.0, PCIe x1) for optional Wi-Fi/BT module 1 x M.2 3402/3052 B-Key (PCIe x1, USB3.2 Gen1, USB2.0) for optional LTE/5G module 1 x Nano-SIM slot

Storage Space	
TPM	Onboard TPM2.0 SPI I/F TPM Infineon_SLM8670 IC
Watchdog Timer	1~255 sec (system)
Wake on LAN	Support WOL

Display	Standard	High Brightness by SKU
Display Type	15" TFT-LCD	15" TFT-LCD
Max. Resolution	1024 x 768	1024 x 768
Max. Color	16.7M	16.2M
Luminance (cd/m ²)	350	1,000
View Angle	178(H)/178(V)	176(H)/176(V)
Contrast	1000:1	1000:1
Backlight Lifetime	50,000 hrs	50,000 hrs

Touch Screen	
Type	Projected Capacitive Touch
Interface	USB
Light Transmission(%)	90%

Dimensions



Power	
Power Input	DC 9~36V
Power Consumption	TBD

Mechanical	
Construction	Aluminum Die-casting Chassis
Mounting	Panel Mount, VESA 100 x 100
IP Rating	IP66 Compliant Front Bezel
Dimensions (WxHxD)	359.6 x 283.6 x 65.5 mm
Net Weight	TBD

Environmental	
Operating Temperature	-20~60°C
Storage Temperature	-30~70°C
Humidity	10 to 95%@ 40°C, non-condensing
Certificate	CE/FCC Class A

Operating System Support	
Windows 10 IoT Enterprise 2021 LTSC or later	
Windows 11 (21H2) or later	
Linux 22.04 or later	

Ordering Information	
AiTRON-915DP	15" XGA fanless HMI barebone with 12th/13th Gen. Intel Core i Processor, 2 x DDR4 slots, Projected Capacitive touch, 9~36V DC input with adapter, Aluminum chassis.
AiTRON-915DPH	15" XGA High Brightness fanless HMI barebone with 12th/13th Gen. Intel Core i Processor, 2 x DDR4 slots, Projected Capacitive touch, 9~36V DC input with adapter, Aluminum chassis.