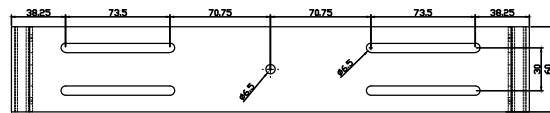
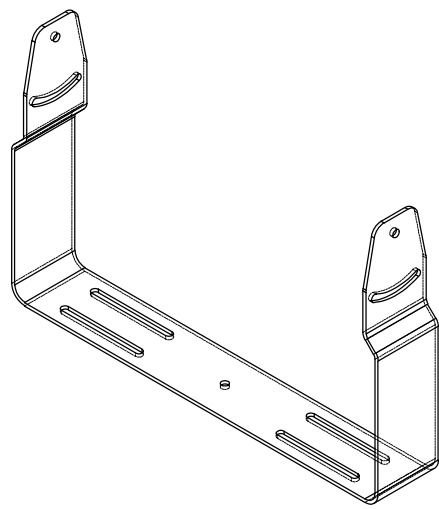
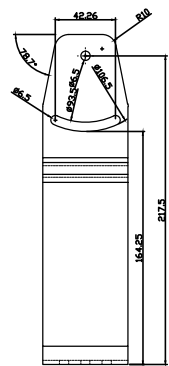
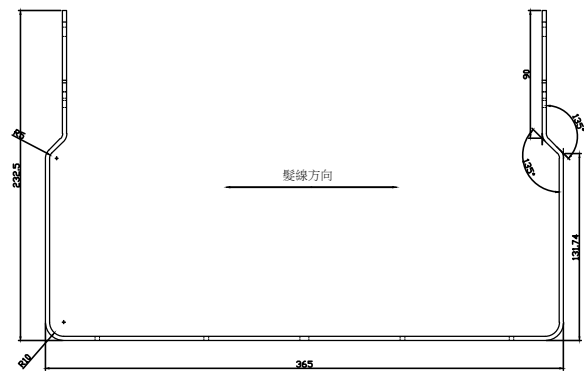
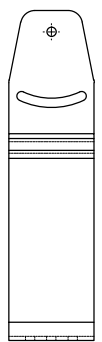
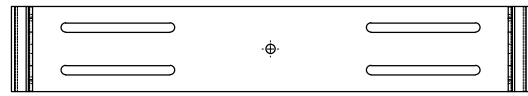


REV	DESCRIPTION	SIGN	DATE
1		Jeslaj	01/10'17



全去毛邊防刮手處理

TDL	< 30	: ±0.1	UNIT : mm	FINISHING	PART NO.	411381200001	Ver.	1			
	30 < 120	: ±0.15				MOLD NO.	VITAM-812P	Q'ty	1		
	120 < 315	: ±0.2					TITLE			FIX BKT	
315 <	: ±0.3	3RD ANGLE'S	MATERIAL	SUS304 T=3	DRAWING NO.						
ANGLE TOL	: ±0.5°		APPROVED	Jason	01/10'17	SIZE	A4	SCALE	1:1	SHEET	1 OF 1
APLEX Technology Inc. 維田科技股份有限公司				CHECKED	Clark	01/10'17					
				DESIGNED	Jeslaj	01/10'17					