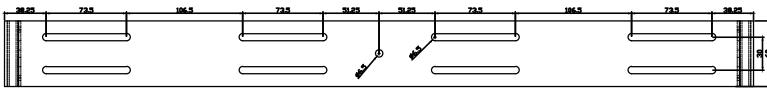
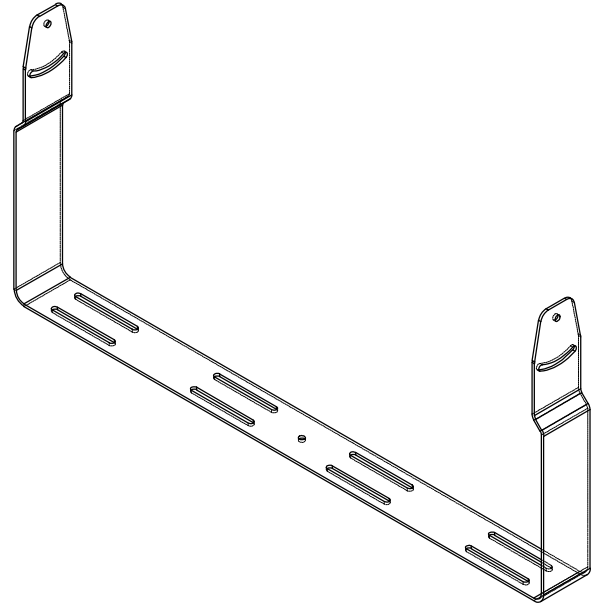
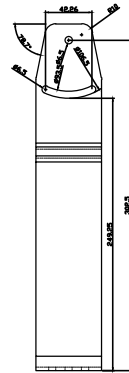
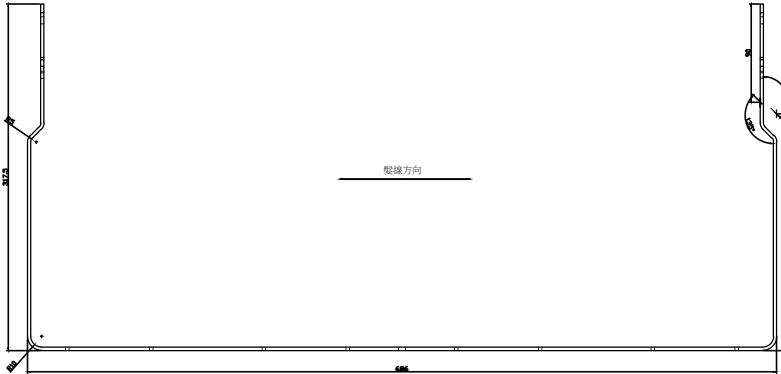
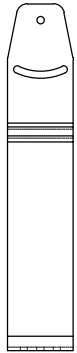
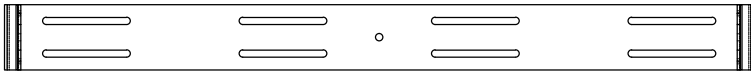


REV	DESCRIPTION	SIGN	DATE
1		Jeslaj	01/10/17



全去毛邊防刮手處理

TDL	< 30	: ±0.1	UNIT : mm	FINISHING		PART NO.	411382400001	Ver.	1			
	30 < 120	: ±0.15	3RD ANGLE'S	MATERIAL	SUS304 T=3	MOLD NO.	VITAM-824P	Q'ty	1			
	120 < 315	: ±0.2		APPROVED	Jason	01/10/17	TITLE	FIX BKT				
315 <	: ±0.3	ANGLE TOL	: ±0.5°	CHECKED	Clark	01/10/17	DRAWING NO.					
<b>APLEX</b> Technology Inc. 維田科技股份有限公司				DESIGNED	Jeslaj	01/10/17	SIZE	A4	SCALE	1:1	SHEET	1 OF 1